

A & M Electric Tools

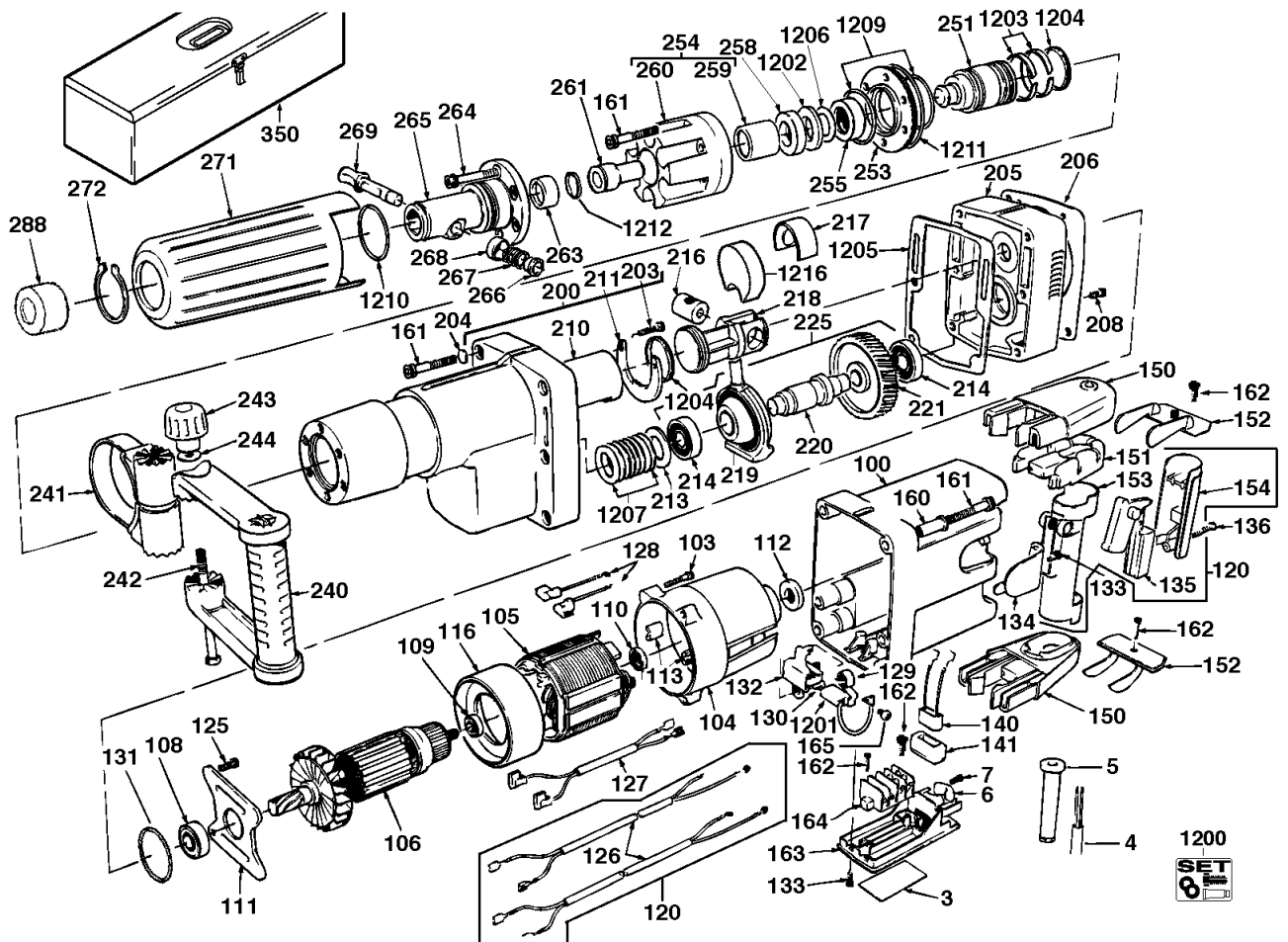
Rotary Hammers

Ind	Product No.	Type	Voltage	Country
a	4000372348	1400KV BRAEKER	230V	IN2
b	4000372387	1400KV BRAEKER	110V	GB1
c	4000372386	1400KV BRAEKER	110V	GB1
d	4000372388	1400KV BRAEKER	120V	USC
e	4000372389	1400KV BRAEKER	230-240V	GB2
f	4000372382	1400KV BRAEKER	240V	AUS

Ind	Product No.	Type	Voltage	Country
-----	-------------	------	---------	---------

Kango
1400KV

Exp.view No. Version Date Page
4926 3723 49 0008 06.06.00 1/3



Pos	Index	Quanti	Article No.	Designation	Pos	Index	Quanti	Article No.	Designation
0003	a.....	1	9170333100	RATING PLATE	0106	.bcd.....	1	9170306060	ARMATURE
0003	.b.....	1	4931374620	RATING PLATE	0108	abcdef.....	1	9170021400	BEARING
0003	.c.....	1	9170333070	RATING PLATE	0109	abcdef.....	1	4931341740	GROOVED BALL BEAR.
0003	...d.....	1	9170333090	RATING PLATE	0110	abcdef.....	1	9170403150	RUBBER SLEEVE
0003	...e.....	1	9170333110	RATING PLATE	0111	abcdef.....	1	9170299410	PLATE
0003	...f.....	1	9170333120	RATING PLATE	0112	abcdef.....	1	9170288260	DAMPER
0004	a.....	1	9170299980	CONNECTION CABLE	0113	abcdef.....	2	9170270910	RUBBER LOCK
0004	.bc.....	1	4931624108	CONNECTION CABLE	0116	abcdef.....	1	9170293410	AIR DEFLECTOR RING
0004	...d.....	1	9170299990	CONNECTION CABLE	0120	abcdef.....	1	9170334070	SWITCH
0004	...e.....	1	9170334120	CONNECTION CABLE	0125	abcdef.....	4	4931379708	SCREW
0004	...f.....	1	4931624328	CONNECTION CABLE	0126	abcdef.....	2	9170333750	WIRE
0005	abcdef.....	1	9170055430	CABLE ENTRY SLEEVE	0127	abcdef.....	1	9170305380	WIRE
0006	abcdef.....	1	9170056490	CABLE CLAMP	0128	abcdef.....	2	4931624066	WIRE
0007	abcdef.....	2	9170175610	SCREW	0129	abcdef.....	2	9170312480	SPRING
0100	abcdef.....	1	4931382258	MOTOR HOUSING	0130	abcdef.....	4	9170279750	SCREW
0103	abcdef.....	4	4931624075	SCREW	0131	abcdef.....	1	4931624087	SEAL RING
0104	abcdef.....	1	9170403100	HOUSING	0132	abcdef.....	2	9170305410	BRUSH HOLDER
0105	a.....	1	9170293990	ELECTRIC FIELD	0133	abcdef.....	4	4931624077	SCREW
0105	.bc.....	1	9170306080	ELECTRIC FIELD	0134	abcdef.....	2	4931382262	COVER
0105	...d.....	1	9170306100	ELECTRIC FIELD	0135	abcdef.....	1	4931374734	SWITCH
0105	...ef.....	1	9170306070	ELECTRIC FIELD	0136	abcdef.....	1	9170250400	SCREW
0106	a...ef.....	1	9170306050	ARMATURE	0140	abc.ef.....	1	9170202967	CAPACITOR

Repairs/modification and testing of electric power tools are to be carried out by specialists. The safety regulations according to DIN/VDE/CEE/AFNOR and other regulations valid in the different countries are to be observed.

A & M Electric Tools

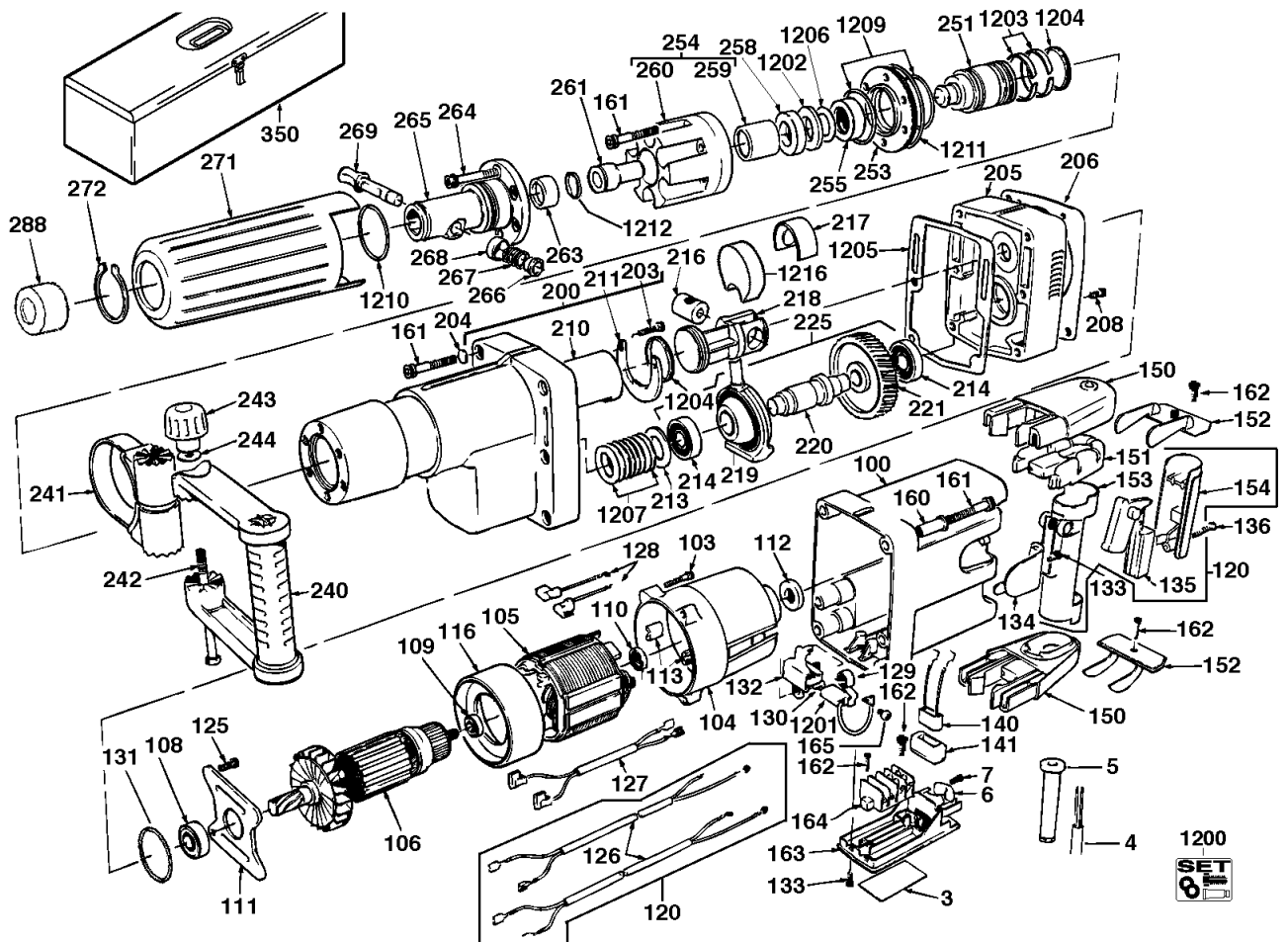
Rotary Hammers

Ind	Product No.	Type	Voltage	Country
a	4000372348	1400KV BRAEKER	230V	IN2
b	4000372387	1400KV BRAEKER	110V	GB1
c	4000372386	1400KV BRAEKER	110V	GB1
d	4000372388	1400KV BRAEKER	120V	USC
e	4000372389	1400KV BRAEKER	230-240V	GB2
f	4000372382	1400KV BRAEKER	240V	AUS

Ind	Product No.	Type	Voltage	Country
-----	-------------	------	---------	---------

Kango
1400KV

Exp.view No. Version Date Page
4926 3723 49 0008 06.06.00 2/3



Pos	Index	Quanti	Article No.	Designation
0141	abcdef.....	1	9170299290	MOTOR CAP
0150	abcdef.....	2	4931382259	HANDLE RECEPTION
0151	abcdef.....	2	9170291120	DAMPER
0152	abcdef.....	2	4931382260	SUPPORT
0153	abcdef.....	1	9170330440	HANDLE
0154	abcdef.....	1	9170330450	HANDLE COVER
0160	abcdef.....	6	9170403490	INSERT
0161	abcdef.....	18	4931624074	SCREW
0162	abcdef.....	4	9170230070	SCREW
0163	abcdef.....	1	4931382256	BRACKET
0164	abcdef.....	1	9170293880	CLAMPING PIECE
0165	abcdef.....	2	9170019730	SCREW
0200	abcdef.....	1	9170330480	HAMMER CAS.MACHIN
0203	abcdef.....	3	4931624076	SCREW
0204	abcdef.....	6	9170298960	WASHER
0205	abcdef.....	1	4931374982	HOUSING
0206	abcdef.....	1	9170307270	GASKET
0208	abcdef.....	2	4931624094	SCREW
0210	abcdef.....	1	9170403360	SPINDLE SLEEVE
0211	abcdef.....	1	9170327730	RETAINER
0213	abcdef.....	1	9170291070	WASHER
0214	abcdef.....	2	9170291040	BALL BEARING

Pos	Index	Quanti	Article No.	Designation
0216	abcdef.....	1	9170403380	CYLINDRICAL BOLT
0217	abcdef.....	1	9170298290	CLAMP
0218	abcdef.....	1	9170403370	PISTON
0219	abcdef.....	1	9170403020	WOBBLE DRIVE
0220	abcdef.....	1	9170403340	REDUCT. GEAR SHAFT
0221	abcdef.....	1	9170311510	GEAR UNIT
0225	abcdef.....	1	9170403540	REDUCTION GEAR
0240	abcdef.....	1	9170311140	HANDLE
0241	abcdef.....	1	9170292620	STRAP CASTING
0242	abcdef.....	1	9170293890	THREADED BOLT
0243	abcdef.....	1	9170292670	TURNING KNOB
0244	abcdef.....	1	9170293930	WASHER
0251	abcdef.....	1	9170403160	PERCUSSION BODY
0253	abcdef.....	1	9170291010	PROTECTION WASHER
0254	abcdef.....	1	9170309700	TOOL ACCEPTANCE
0255	abcdef.....	1	9170299570	HOUSING
0258	abcdef.....	1	9170299560	WASHER
0259	abcdef.....	1	9170309690	GUIDE SLEEVE
0260	abcdef.....	1	9170313060	HOUSING
0261	abcdef.....	1	9170403130	SNAP DIE
0263	abcdef.....	1	9170291000	JUNK RING
0264	abcdef.....	6	4931624072	SCREW

Repairs/modification and testing of electric power tools are to be carried out by specialists. The safety regulations according to DIN/VDE/CEE/AFNOR and other regulations valid in the different countries are to be observed.

A & M Electric Tools

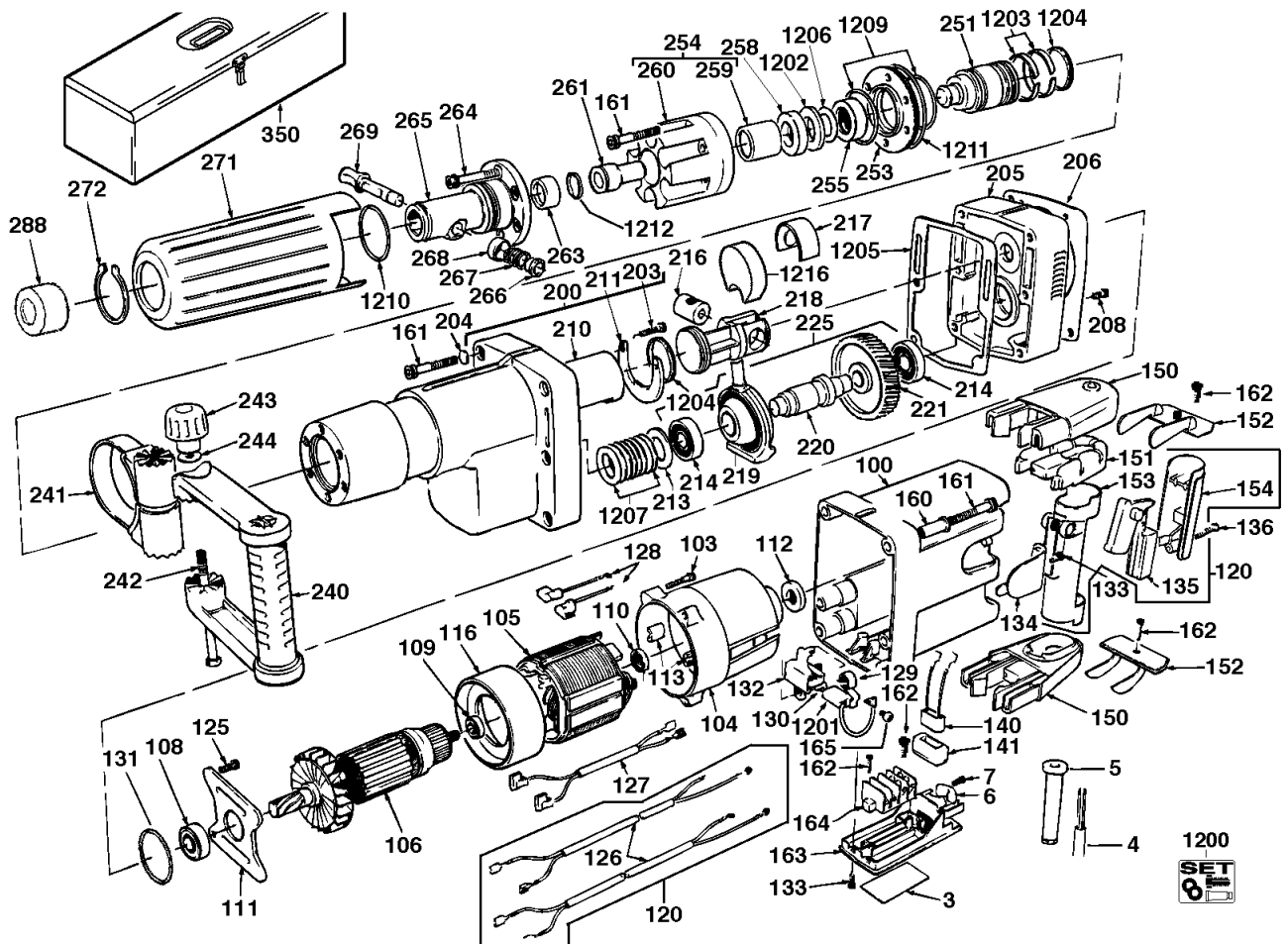
Rotary Hammers

Ind	Product No.	Type	Voltage	Country
a	4000372348	1400KV BRAEKER	230V	IN2
b	4000372387	1400KV BRAEKER	110V	GB1
c	4000372386	1400KV BRAEKER	110V	GB1
d	4000372388	1400KV BRAEKER	120V	USC
e	4000372389	1400KV BRAEKER	230-240V	GB2
f	4000372382	1400KV BRAEKER	240V	AUS

Ind	Product No.	Type	Voltage	Country
-----	-------------	------	---------	---------

Kango
1400KV

Exp.view No. Version Date Page
4926 3723 49 0008 06.06.00 3/3



Pos	Index	Quanti	Article No.	Designation
0265	abcdef.....	1	9170330500	ADAPTER SLEEVE
0266	abcdef.....	1	4931379039	LATCH
0267	abcdef.....	1	9170032330	SPRING
0268	abcdef.....	1	4931379061	SLEEVE
0269	abcdef.....	1	4931384430	LATCH BAR
0271	abcdef.....	1	9170291030	SLEEVE
0272	abcdef.....	1	9170293920	PROTECTION WASHER
0288	abcdef.....	1	9170086900	DUST GUARD CAP
0350	abcdef.....	1	4931374298	CARRYING CASE
1200	abcdef.....	1	9170306890	MAINTENANCE SET
1201	abcdef.....	1	4931392566	CARBON BRUSH SET
1202	abcdef.....	1	4931379309	JUNK RING
1203	abcdef.....	2	9170306140	CLAMP
1204	abcdef.....	2	9170403290	SEAL RING
1205	abcdef.....	1	9170403460	GASKET
1206	abcdef.....	1	9170015940	RUBBER RING
1207	abcdef.....	8	9170291060	CUP SPRING
1209	abcdef.....	2	9170293740	O-RING
1210	abcdef.....	1	9170293750	O-RING
1211	abcdef.....	1	9170293760	O-RING
1212	abcdef.....	1	9170293770	GASKET
1216	abcdef.....	1	9170319880	INSERT

Pos	Index	Quanti	Article No.	Designation
-----	-------	--------	-------------	-------------

Repairs/modification and testing of electric power tools are to be carried out by specialists. The safety regulations according to DIN/VDE/CEE/AFNOR and other regulations valid in the different countries are to be observed.